

Post Grenfell Tower Full Scale Fire Tests

Building Standards Division

Bill Dodds September 2017

Aluminium Composite Material



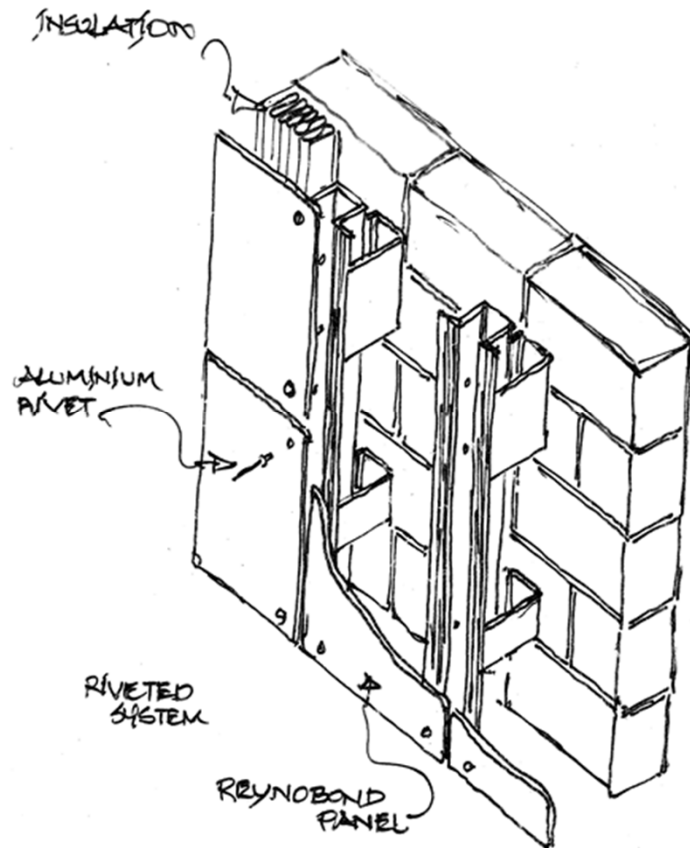
Stone Wool Insulation



Polyisocyanurate Foam Insulation



Typical Cladding System



REYNOBOND
ARCHITECTURE
PANELS AND
TYPICAL FIXING
SYSTEMS.

External Cladding Fire Test



Post Fire Test



Test 1 (6 minutes 35 seconds)



Test 6 (full test)

Thank you for listening.



The Scottish
Government
Riaghaltas na h-Alba

